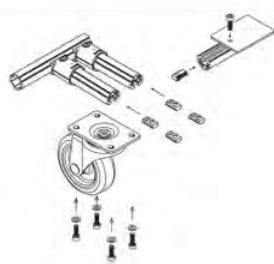
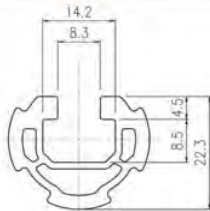
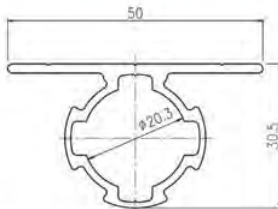


AT2829SP T Slot Pipe



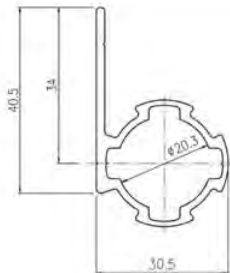
- Weight: 0.605kg/m, External Diameter Ø28
- ※ Spring Nuts (shown in Page 85) can be used in the slot to attach various items.
- ※ Slot will facilitate the linear movement of attached item

ATF2812SP T-Flat Pipe



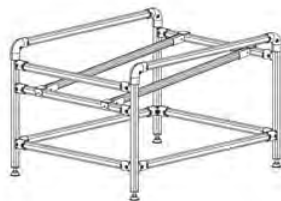
- Weight : 0.681kg/m, External Diameter Ø28
- ※ Please refer to the technical data on the page 85

ALF2812SP L-Flat Pipe



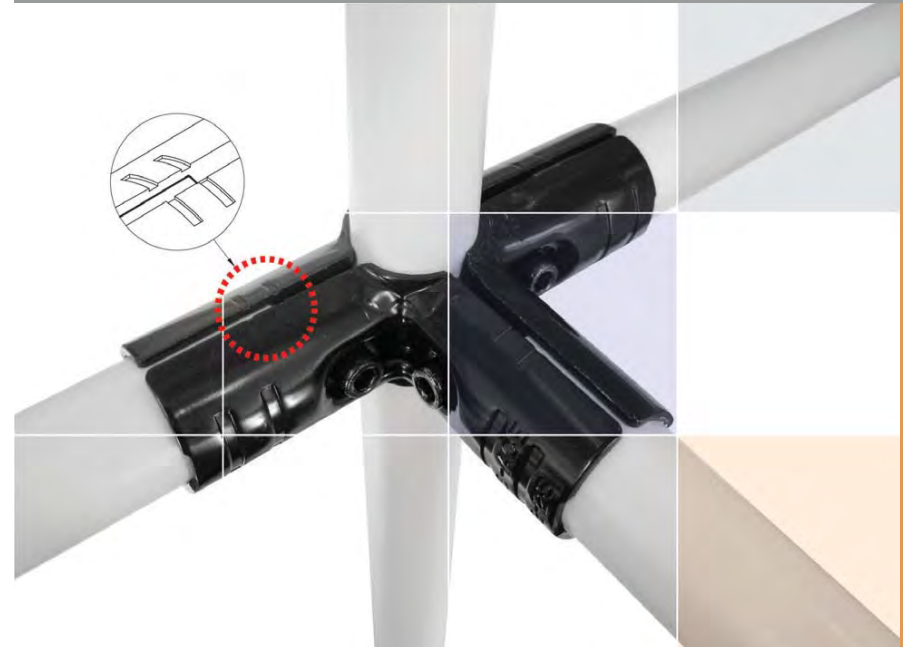
- Weight : 0.638kg/m, External Diameter Ø28
- ※ Please refer to the technical data on the page 85

AFS2812SA Full Slide Pipe



- Weight : 0.377kg/m, External Diameter Ø28
- ※ Sliding Pipe will facilitate the linear movement.

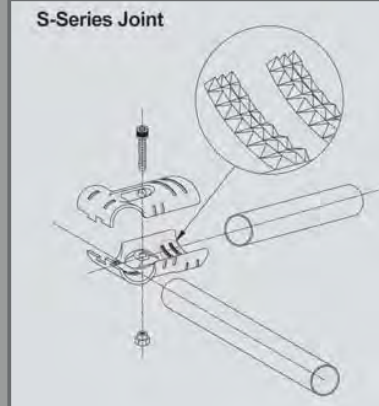
METAL JOINTS



COLORS

- Black
- White
- Nickel

S-Series Joint



METAL JOINTS - SERIES FEATURES

- ✦ Developed and patented design for 28 stainless steel pipes.
- ✦ Excellent grip characteristics achieved by introducing series of protruded pyramids in contact with stainless steel pipes.
- ✦ When used with coated pipes, grip is enhanced by 30 %

SURFACE TREATMENT & CODE NUMBER

Code	Surface treatment	Remarks
BK	Black Coating	Non Chrome
WZ	Zinc Plating (white)	Cro3
Ni	Nickel Plating	Non Chrome

Unit : mm

Unit : mm

G-1S

- Weight : 0.068kg
- Q'ty/Box : 240pcs

G-1BS

- Weight : 0.061kg
- Q'ty/Box : 240pcs

G-7AS

- Weight : 0.044kg
- Q'ty/Box : 300pcs

G-7BS

- Weight : 0.052kg
- Q'ty/Box : 300pcs

G-2S

- Weight : 0.095kg
- Q'ty/Box : 150pcs

G-3S

- Weight : 0.120kg
- Q'ty/Box : 70pcs

G-7CS

Utility Model Patent

- Weight : 0.062kg
- Q'ty/Box : 210pcs

G-8S

Design Patent No. 0256329

- Weight : 0.049kg
- Q'ty/Box : 300pcs

G-4S

- Weight : 0.105kg
- Q'ty/Box : 180pcs

G-6S

- Weight : 0.048kg
- Q'ty/Box : 180pcs

G-9S

- Weight : 0.120kg
- Q'ty/Box : 100pcs

G-12S

- Weight : 0.060kg
- Q'ty/Box : 210pcs

G-6BS

- Weight : 0.042kg
- Q'ty/Box : 240pcs

G-6B-33

- Weight : 0.046kg
- Q'ty/Box : 180pcs

G-13AS

- Weight : 0.063kg
- Q'ty/Box : 160pcs

G-13BS

- Weight : 0.062kg
- Q'ty/Box : 160pcs

Unit : mm



Unit : mm

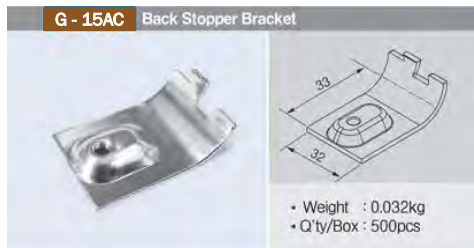
Unit : mm

G-14S



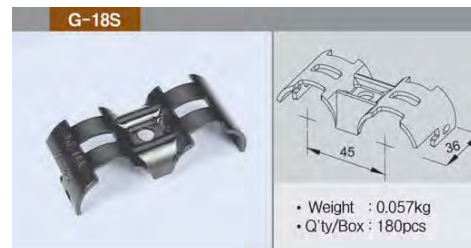
- Weight : 0.052kg
- Q'ty/Box : 260pcs

G - 15AC Back Stopper Bracket



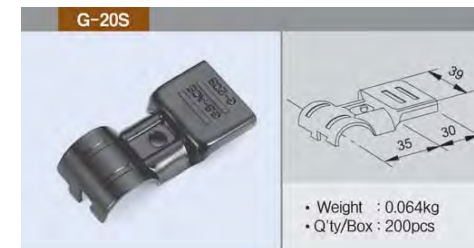
- Weight : 0.032kg
- Q'ty/Box : 500pcs

G-18S



- Weight : 0.057kg
- Q'ty/Box : 180pcs

G-20S

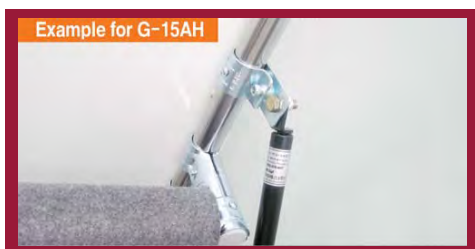


- Weight : 0.064kg
- Q'ty/Box : 200pcs

G-15AH



- Weight : 0.046kg
- Q'ty/Box : 300pcs

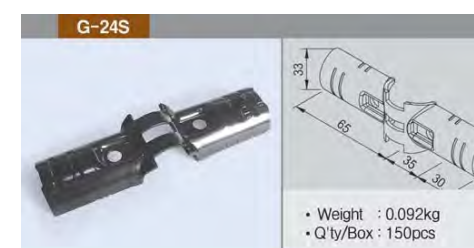


G-22S



- Weight : 0.085kg
- Q'ty/Box : 150pcs

G-24S



- Weight : 0.092kg
- Q'ty/Box : 150pcs

G-15AS



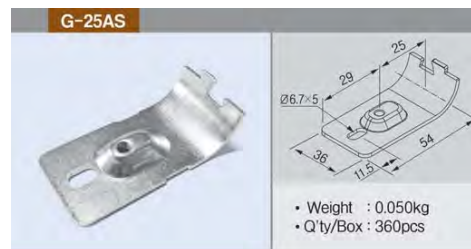
- Weight : 0.040kg
- Q'ty/Box : 480pcs

G-15BS



- Weight : 0.037kg
- Q'ty/Box : 480pcs

G-25AS



- Weight : 0.050kg
- Q'ty/Box : 360pcs

G-25BS




- Weight : 0.043kg
- Q'ty/Box : 360pcs

G-15D



- Weight : 0.048kg
- Q'ty/Box : 300pcs

G-16S



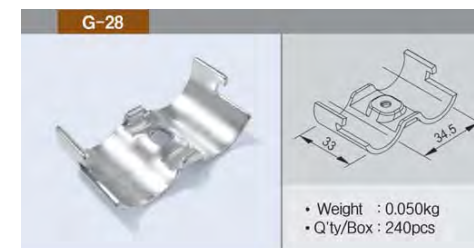
- Weight : 0.049kg
- Q'ty/Box : 300pcs

G-25C



- Weight : 0.042kg
- Q'ty/Box : 300pcs

G-28

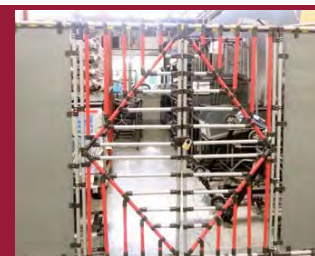


- Weight : 0.050kg
- Q'ty/Box : 240pcs

G-17S



- Weight : 0.057kg
- Q'ty/Box : 200pcs



Unit : mm

G-30S

- Weight : 0.060kg
- Q'ty/Box : 240pcs

G-34S

- Weight : 0.105kg
- Q'ty/Box : 180pcs

G-60S

- Weight : 0.076kg
- Q'ty/Box : 200pcs

G-65S For Ø5

- Weight : 0.038kg
- Q'ty/Box : 480pcs

G-35AS

- Weight : 0.080kg
- Q'ty/Box : 240pcs

G-35BS

- Weight : 0.075kg
- Q'ty/Box : 240pcs

G-65S-10 For Ø10

- Weight : 0.0380kg
- Q'ty/Box : 480pcs

G-66 Material : Aluminium

- Weight : 0.042kg
- Q'ty/Box : 160pcs

G-38S

- Weight : 0.057kg
- Q'ty/Box : 300pcs

G-44
Utility Model Patent
Design Patent

- Weight : 0.070kg
- Q'ty/Box : 270pcs

G-90S
Utility Model Patent

- Weight : 0.096kg
- Q'ty/Box : 100pcs

G-101

- Weight : 0.074kg
- Q'ty/Box : 180pcs

* For Ø28.6

G-45S

- Weight : 0.071kg
- Q'ty/Box : 200pcs

G-54S

- Weight : 0.099kg
- Q'ty/Box : 120pcs

G-102

- Weight : 0.074kg
- Q'ty/Box : 200pcs

* For Ø28.6

G-103

- Weight : 0.07kg
- Q'ty/Box : 240pcs

* For connection at the top of joint



Unit : mm

Unit : mm

Unit : mm

G-104

- Weight : 0.070kg
- Q'ty/Box : 240pcs

G-105

- Weight : 0.080kg
- Q'ty/Box : 200pcs

GA-1BS

- G-1BS : 2pcs
- M0625/TN06 : 1set

GA-1S

- G-1S : 2pcs
- M0625/TN06 : 1set

G-106

- Weight : 0.078kg
- Q'ty/Box : 200pcs

G-110S

Design Patent

- Weight : 0.103kg
- Q'ty/Box : 100pcs

GA-2S

- G-2S : 1pcs G-3S : 1pcs
- M0625/TN06 : 2set

GA-3S

- G-2S : 2pcs G-4S : 1pcs
- M0625/TN06 : 3set



GA-4S

- G-4S : 2pcs
- M0625/TN06 : 2set

GA-5S

- G-2S : 4pcs
- M0625/TN06 : 4set

GA-6S

- G-6S : 2pcs
- M0625/TN06 : 1set

GA-6BS

- G-6BS : 2pcs
- M0625/TN06 : 1set

GA-6B-33

- G-6B-33 : 2pcs
- M0625/TN06 : 1set

GA-7S

- G-7AS : 2pcs G-7BS : 2pcs
- M0625/TN06 : 2set

Unit : mm

GA-8S

- G-8S : 2pcs
- M0625/TN06 : 1set

GA-9S

- G-9S : 2pcs
- M0625/TN06 : 1set

GA-16S

- G-16S : 2pcs
- PW8 * 25 : 2pcs

GA-17S

- G-17S : 2pcs GAP-12:1pcs
- M0625/TN06 : 1set

* For one-side fixing

GA-13S

- G-13AS:1pcs G-13BS:1pcs
- M0625/TN06 : 1set

GA-14S

- G-14S : 2pcs G7BS : 4pcs
- M0625/TN06 : 4set

GA-18S

- G-18S : 2pcs GAP-12:2pcs
- M0625/TN06 : 1set

GA-20S

- G-20S : 1pcs G-1S :1pcs
- M0625/TN06 : 1set

Example for GA-15S

GA-21A

Registration patent

- G-21A : 2pcs
- HM0620/TN06 : 1set

GA-24S

- G-24S : 2pcs GAP-12:1pcs
- M0625/TN06 : 2set

GA-25C

- G-25C:2pcs GAP-12:1pcs
- M0825/N08 : 2set

GA-25S

- G-25AS : 1pcs G-25BS : 1pcs
- GAP-12: 1pcs M0610 : 1pcs

GA-15D

- G-15D : 1pcs G-15BS : 1pcs
- M0610 : 1pcs

GA-15S

- G-15AS : 1pcs G-15BS : 1pcs
- M0610 : 1pcs

GA-27S

Utility Model Patent

- G-7CS : 2pcs G-7BS : 2pcs
- M0625/TN06 : 3set

GA-28

- G-28 : 2pcs
- M0625/TN06 : 1set

Unit : mm

Unit : mm

GA-30S

- G-30S : 2pcs
- M0625/TN06 : 1set

GA-34S

- G-34S : 2pcs
- M0625/TN06 : 2set

GA-65S For $\varnothing 5$

- G-65S : 2pcs
- M0610/TN06 : 1set

GA-65S-10 For $\varnothing 10$

- G-65S-10 : 2pcs
- M0610/TN06 : 1set

Example for GA-34S

GA-35S

- G-35AS : 1pcs G-35BS : 1pcs
- GAP-56 : 1pcs M0610 : 1pcs

GA-66 Material : Aluminium

- G-66 : 2pcs
- M0625/TN06 : 1set

GA-90S
Utility Model Patent

- G-90S : 2pcs
- M0625/TN06 : 1set

GA-38S

- G-38S : 2pcs
- M0625/TN06 : 1set

GA-44
Utility Model Patent
Design Patent

- G-44 : 2pcs
- M0625/TN06 : 1set

GA-101

- G-101 : 2pcs
- M0625/TN06 : 1set

GA-102

- G-102 : 2pcs
- M0625/TN06 : 1set

GA-45S

- G-45S : 2pcs
- M0625 / TN06 l 1set

GA-54S

- G-54S 1pcs G-4S 1pcs
- M0625/TN06 : 2set

GA-103

- G-103 : 2pcs
- M0625/TN06 : 1set

GA-104

- G-104 : 2pcs
- M0625/TN06 : 1set

GA-55S

- G-22S : 4pcs GAP-12 1pcs
- M0625/TN06 : 4set

GA-60S

- G-60S : 2pcs
- M0625/TN06 : 1set

GA-105

- G-105 : 2pcs
- M0630/TN06 : 1set

GA-106

- G-106 : 2pcs
- M0625/TN06 : 1set

Unit : mm

Unit : mm

GA-110S

Design Patent

- G-110S : 2pcs
- M0625/TN06 : 2set

GA-135S

- G-135S : 2pcs
- M0625/TN06 : 2set

GA-160S

Design Patent

- G-160S : 2pcs
- M0625/TN06 : 2set

Unit : mm

PS - A Rotating Cross Joint

- Weight : 0.128kg
- Q'ty/Box : 96pcs

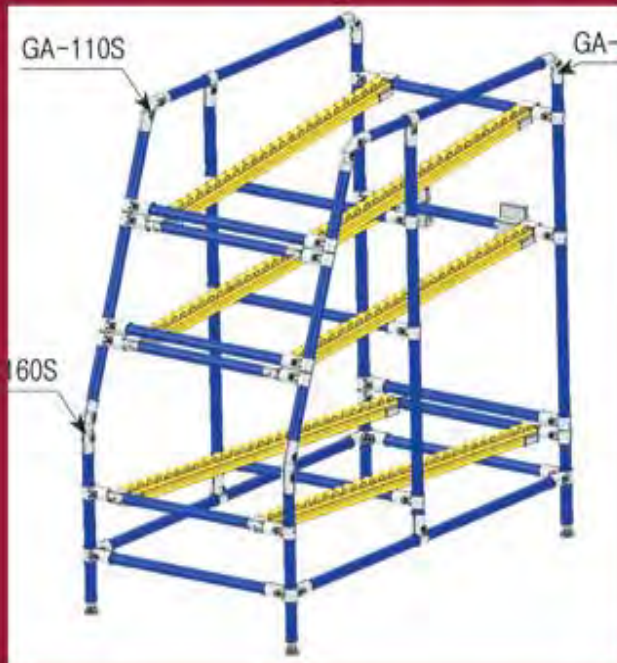
PS - B Rotating Cross Joint

- Weight : 0.104kg
- Q'ty/Box : 96pcs

PS - C Rotating Cross Joint

- Weight : 0.105kg
- Q'ty/Box : 70pcs

Example for GA-110S, GA-160S



GAP - 12 Sleeve (For GA-12S/17S/18S/24S/25S)

- Weight : 0.007kg
- Q'ty/Box : 600pcs

GAP - 44 Sleeve (For GA-12S/17S/18S/24S/25S)

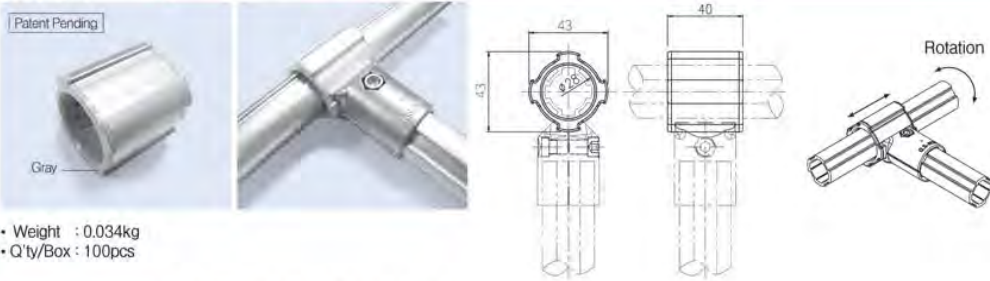
- Weight : 0.012kg
- Q'ty/Box : 200pcs

GAP - 56 Sleeve (For GA-35S)

- Weight : 0.010kg
- Q'ty/Box : 300pcs

Unit : mm

AH-540 Aluminum Sleeve (Short Type)



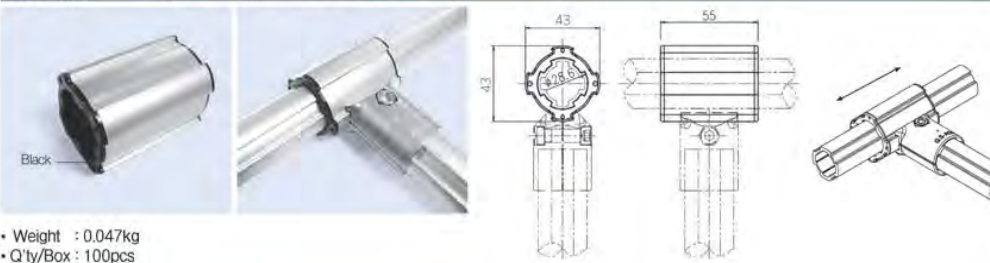
AH-555 Aluminum Sleeve (Long Type)



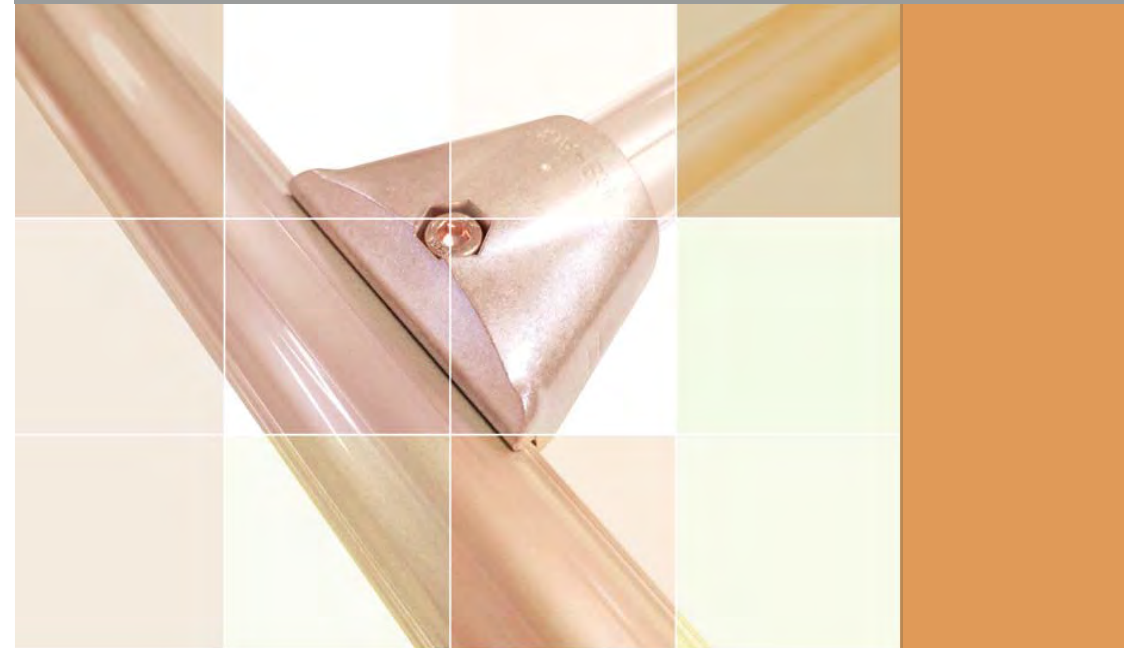
AH-640 Aluminum Sleeve (Short Type)



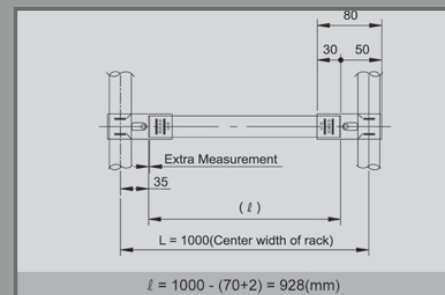
AH-655 Aluminum Sleeve (Long Type)



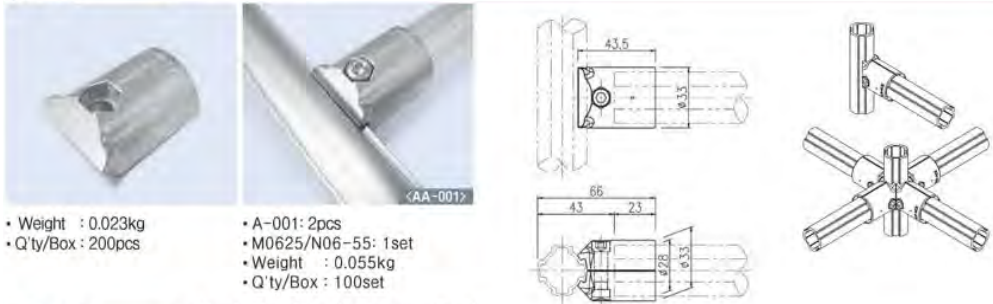
ALUMINIUM JOINTS



JOINTS



A-001 Single Tee Joint



- Weight : 0.023kg
- Q'ty/Box : 200pcs
- A-001: 2pcs
- M0625/N06-55: 1set
- Weight : 0.055kg
- Q'ty/Box : 100set

A-001C Single Tee Joint (for round pipes)



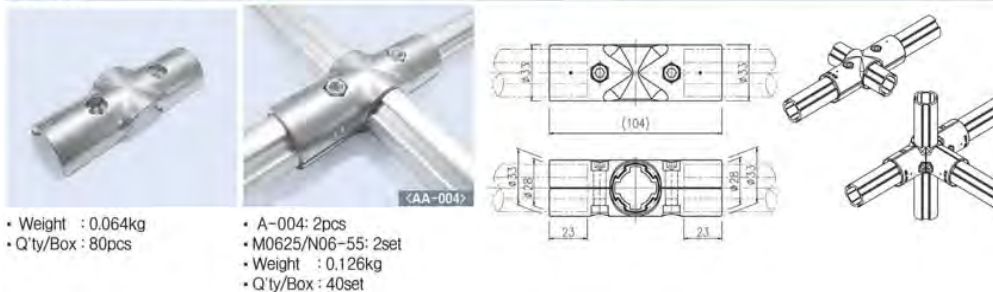
- Weight : 0.025kg
- Q'ty/Box : 200pcs
- A-001C : 2pcs
- M0625/N06-55: 1set
- Weight : 0.060kg
- Q'ty/Box : 100set

A-003 Outer Elbow Joint



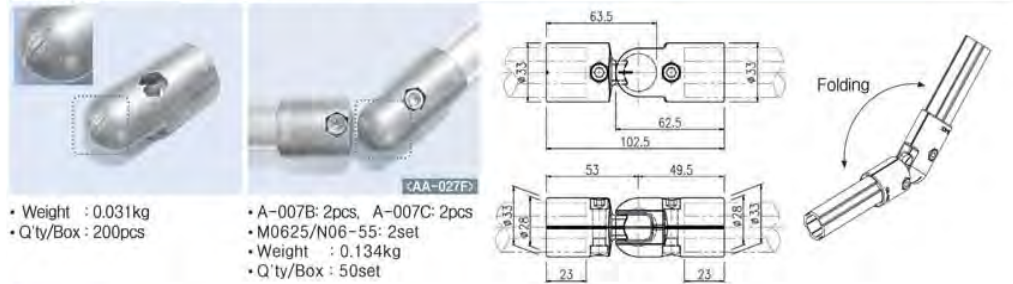
- Weight : 0.068kg
- Q'ty/Box : 80pcs
- A-003: 1pcs, A-001: 2pcs
- M0625/N06-55: 2set
- Weight : 0.123kg
- Q'ty/Box : 40set

A-004 Straight Joint



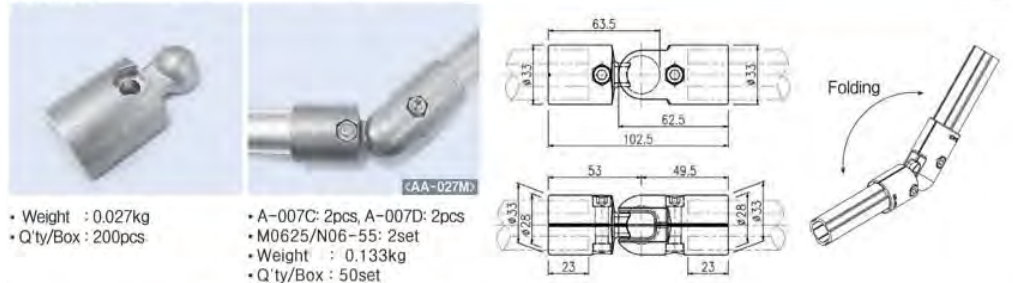
- Weight : 0.064kg
- Q'ty/Box : 80pcs
- A-004: 2pcs
- M0625/N06-55: 2set
- Weight : 0.126kg
- Q'ty/Box : 40set

A-007B Swivel Joint(Angle Adjustable)



- Weight : 0.031kg
- Q'ty/Box : 200pcs
- A-007B: 2pcs, A-007C: 2pcs
- M0625/N06-55: 2set
- Weight : 0.134kg
- Q'ty/Box : 50set

A-007C Swivel Joint(Angle Adjustable)



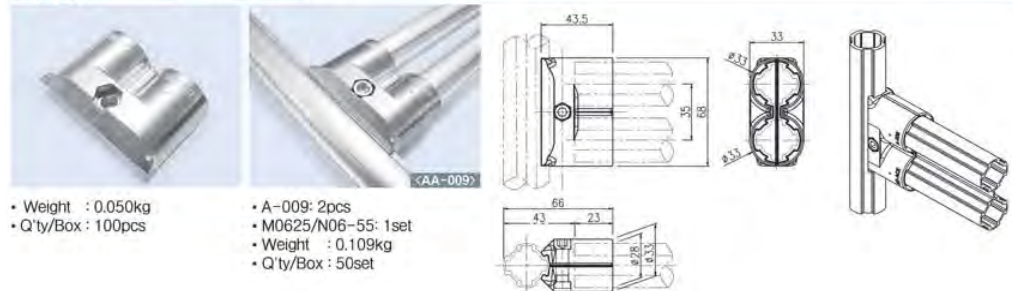
- Weight : 0.027kg
- Q'ty/Box : 200pcs
- A-007C : 2pcs, A-007D: 2pcs
- M0625/N06-55: 2set
- Weight : 0.133kg
- Q'ty/Box : 50set

A-007D Swivel Joint(Revolution, Angle Adjustable)



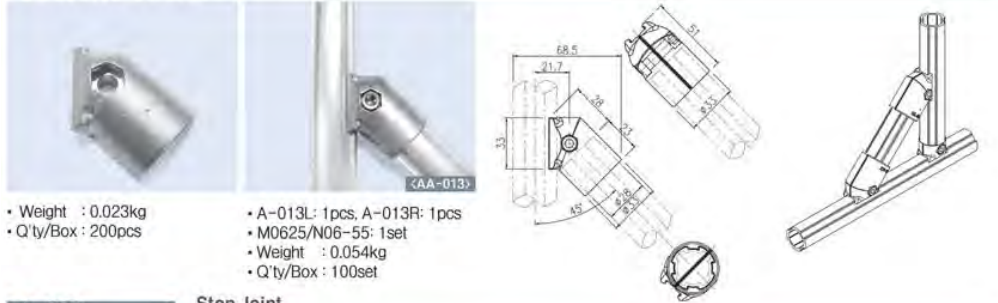
- Weight : 0.031kg
- Q'ty/Box : 200pcs
- A-007D : 2pcs B-007A : 2pcs
- M0620/N06-55 : 1set
- M0625/N06-55 : 1set
- Weight : 0.112kg/m
- Q'ty/Box : 50set

A-009 Double Tee Joint



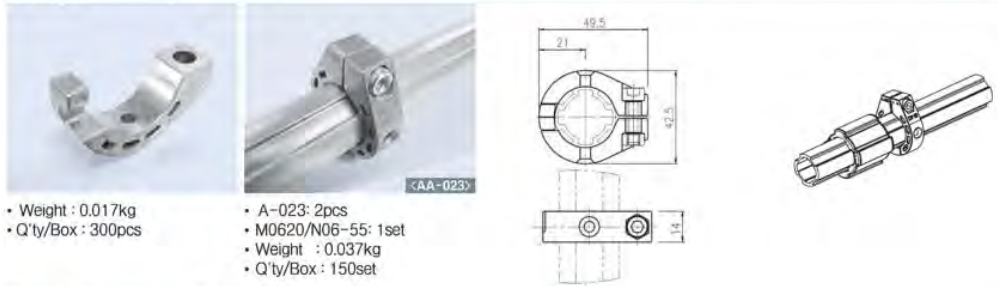
- Weight : 0.050kg
- Q'ty/Box : 100pcs
- A-009: 2pcs
- M0625/N06-55: 1set
- Weight : 0.109kg
- Q'ty/Box : 50set

A-013L, A-013R 45° Joint



- Weight : 0.023kg
- Q'ty/Box : 200pcs
- A-013L: 1pcs, A-013R: 1pcs
- M0625/N06-55: 1set
- Weight : 0.054kg
- Q'ty/Box : 100set

A-023 Stop Joint



- Weight : 0.017kg
- Q'ty/Box : 300pcs
- A-023: 2pcs
- M0620/N06-55: 1set
- Weight : 0.037kg
- Q'ty/Box : 150set

A-028 Parallel Joint



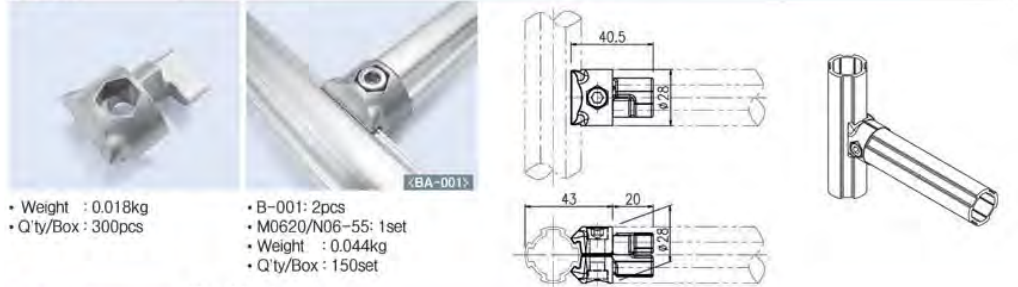
- Weight : 0.026kg
- Q'ty/Box : 150pcs
- A-028: 2pcs
- M0625/N06-55: 1set
- Weight : 0.060kg
- Q'ty/Box : 75set

A-090 90° Elbow Joint



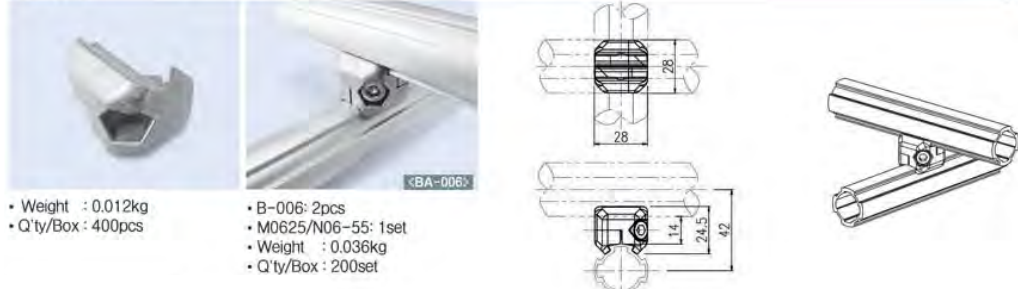
- Weight : 0.050kg
- Q'ty/Box : 80pcs
- A-090: 2pcs
- M0625/N06-55: 1set
- Weight : 0.110kg
- Q'ty/Box : 40set

B-001 Single Tee Joint



- Weight : 0.018kg
- Q'ty/Box : 300pcs
- B-001: 2pcs
- M0620/N06-55: 1set
- Weight : 0.044kg
- Q'ty/Box : 150set

B-006 90° Offset Joint



- Weight : 0.012kg
- Q'ty/Box : 400pcs
- B-006: 2pcs
- M0625/N06-55: 1set
- Weight : 0.036kg
- Q'ty/Box : 200set

B-007A Swivel Joint (Revolution, Angle Adjustable)



- Weight : 0.017kg
- Q'ty/Box : 400pcs
- B-007A: 2pcs, B-007B: 2pcs
- M0620/N06-55: 2set
- Weight : 0.099kg
- Q'ty/Box : 80set

B-007B Swivel Joint (Angle Adjustable)



- Weight : 0.025kg
- Q'ty/Box : 250pcs
- B-007B: 2pcs, B-007C: 2pcs
- M0620/N06-55: 2set
- Weight : 0.112kg
- Q'ty/Box : 80set

Unit : mm

B-007C Swivel Joint(Angle Adjustable)

Weight : 0.023kg
Q'ty/Box : 250pcs

B-007C: 2pcs, B-007D: 2pcs
M0620/N06-55: 2set
Weight : 0.111kg
Q'ty/Box : 80set

B-007D Swivel Joint(Revolution, Angle Adjustable)

Weight : 0.025kg
Q'ty/Box : 250pcs

B-007A: 2pcs, B-007D: 2pcs
M0620/N06-55: 2set
Weight : 0.098kg
Q'ty/Box : 80set

B-008 Parallel Joint

Weight : 0.013kg
Q'ty/Box : 400pcs

B-008: 2pcs
M0620/N06-55: 1set
Weight : 0.032kg
Q'ty/Box : 200set

B-011 Parallel Joint

Weight : 0.030kg
Q'ty/Box : 200pcs

B-011: 2pcs
M0620/N06-55: 2set
Weight : 0.075kg
Q'ty/Box : 100set

Unit : mm

B-013L, B-013R 45° Joint

Weight : 0.018kg
Q'ty/Box : 300pcs

B-013L: 1pcs, B-013R: 1pcs
M0620/N06-55: 1set
Weight : 0.043kg
Q'ty/Box : 150set

B-090 90° Elbow Joint

Weight : 0.039kg
Q'ty/Box : 120pcs

B-090: 2pcs
M0620/N06-55: 1set
Weight : 0.086kg
Q'ty/Box : 60set

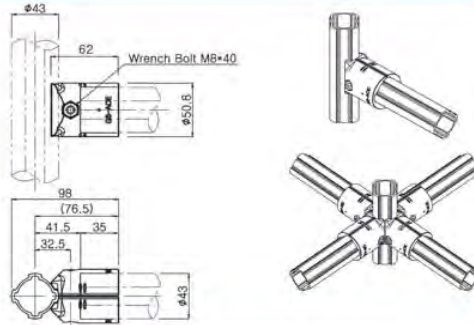


Unit : mm

A-401 Single Tee Joint



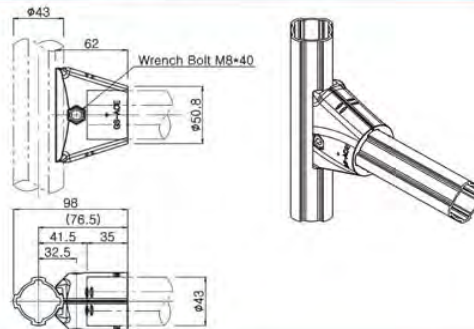
- Weight : 0.077kg
- Q'ty/Box : 60EA
- A-401 : 2pcs
- M0840/N08 : 1set
- Weight : 0.178kg
- Q'ty/Box : 35set



A-401W Single Tee Joint (Heavy Duty)



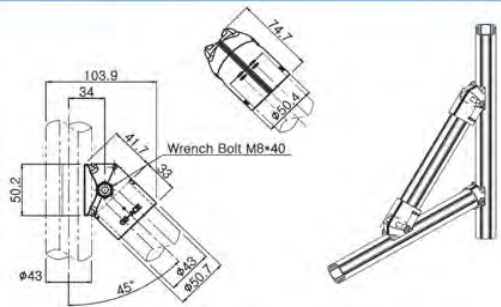
- Weight : 0.123kg
- Q'ty/Box : 40EA
- A-401W : 2pcs
- M0840/N08 : 1set
- Weight : 0.270kg
- Q'ty/Box : 20set



A-413L, A-413R 45° Joint



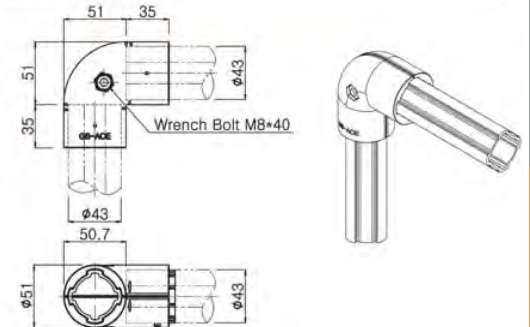
- Weight : 0.082kg
- Q'ty/Box : 50EA
- A-413L : 1pcs, A-413R : 1pcs
- M0840/N08 : 1set
- Weight : 0.188kg
- Q'ty/Box : 25set



A-490 90° Elbow Joint



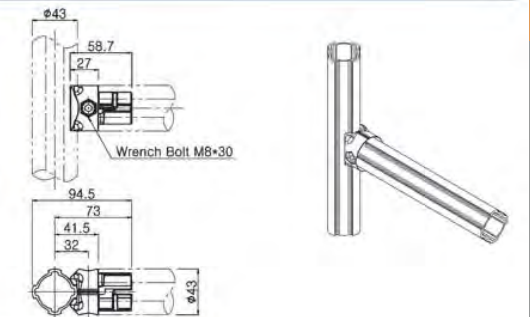
- Weight : 0.131kg
- Q'ty/Box : 30EA
- A-490 : 2pcs
- M0840/N08 : 1set
- Weight : 0.286kg
- Q'ty/Box : 15set



B-401 Single Tee Joint



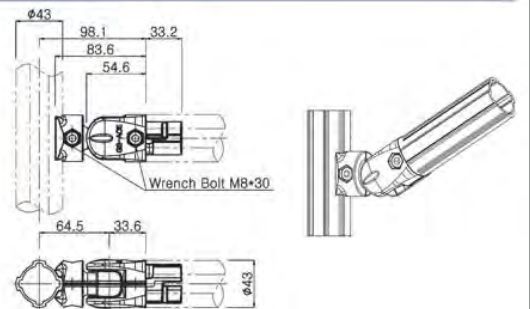
- Weight : 0.061kg
- Q'ty/Box : 100EA
- B-401 : 2pcs
- M0830/N08 : 1set
- Weight : 0.143kg
- Q'ty/Box : 50set



B-407A Swivel Joint (Angle Adjustable)



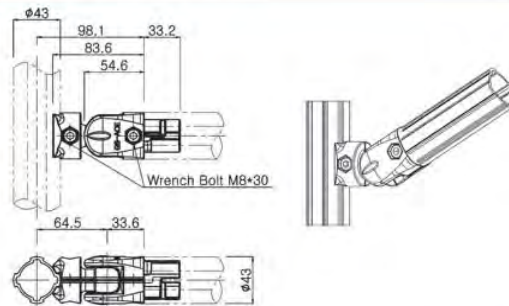
- Weight : 0.049kg
- Q'ty/Box : 120EA
- B-407A : 2pcs, B-407B : 2pcs
- M0830/N08 : 2set
- Weight : 0.306kg
- Q'ty/Box : 20set



Unit : mm

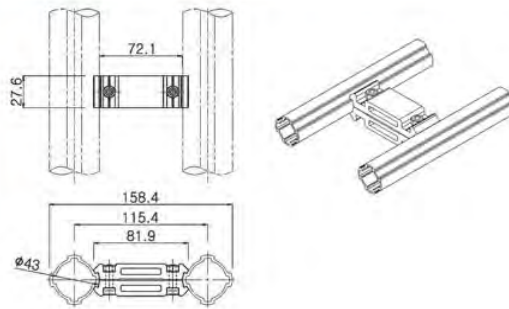
Unit : mm

B-407B Swivel Joint(Angle Adjustable)



- Weight : 0.083kg
- Q'ty/Box : 60EA
- B-407A : 2pcs, B-407B : 2pcs
- M0830/N08 : 2set
- Weight : 0.306kg
- Q'ty/Box : 20set

B-411 Parallel Joint

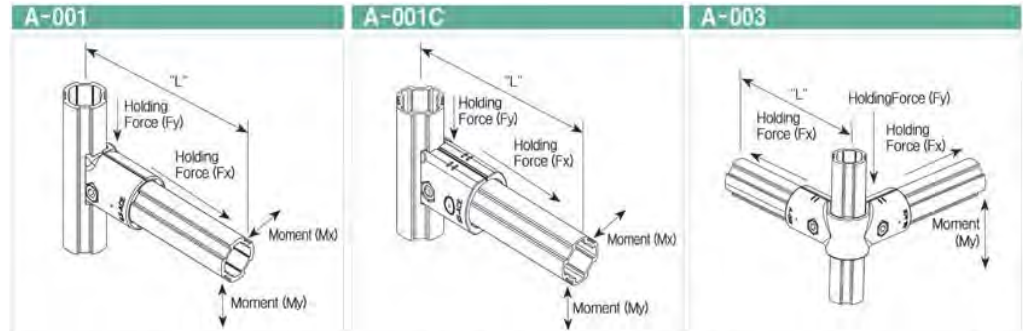


- Weight : 0.051kg
- Q'ty/Box : 100EA
- B-411 : 2pcs
- M0620/N06 : 2set
- Weight : 0.120kg
- Q'ty/Box : 50set

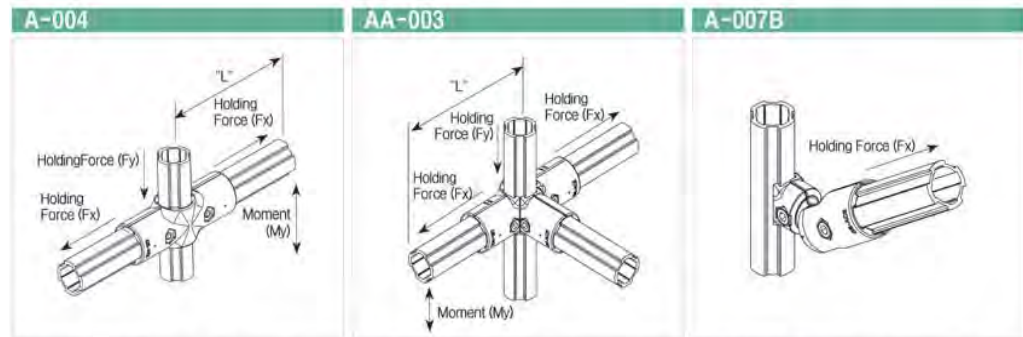


- Test Condition
1. Test Speed : 5mm / min
 2. Temperature : 23℃

Classification	Coated Pipe		Stainless Steel Pipe	
	Ø28 x t0.7	Ø28 x t1.0	Ø28 x t0.7	Ø28 x t1.2
Direction : X	More Than 80kg	More Than 80kg	More Than 80 kg	More Than 80 kg
Direction : Y	More Than 80kg	More Than 80kg	More Than 80 kg	More Than 80 kg



Holding Force (kgf)	A-001		A-001C		A-003	
	Fx	Fy	Fx	Fy	Fx	Fy
Moment (kgf) (L=110mm)	80	80	80	80	80	80
	Mx	6	Mx	5	My	16
	My	12	My	10		



Holding Force (kgf)	A-004		AA-003		A-007B	
	Fx	Fy	Fx	Fy	Fx	Fy
Moment (kgf) (L=110mm)	80	80	80	80	80	80
	My	25	My	19		



Holding Force (kgf)	A-007C		A-007D		A-009	
	Fx	Fy	Fx	Fy	Fx	Fy
Moment (kgf) (L=110mm)	80	80	80	80	150	200
					Mx	29
					My	56

Unit : mm

A-013			A-023			A-028		
Holding Force (kgf)	Fx	80	Holding Force (kgf)	Fy	80	Holding Force (kgf)	Fx	80
	Fy	80						

A-090			B-001			B-006		
Holding Force (kgf)	Fx1	80	Holding Force (kgf)	Fx	50	Holding Force (kgf)	Fx1	80
	Fx2	80		Fy	80		Fy2	80
Moment (kgf) (L=110mm)		21	Moment (kgf) (L=110mm)	Mx	5	Moment (kgf) (L=110mm)	Mx	9
				My	8		My	6

B-007A			B-007B			B-007C		
Holding Force (kgf)	Fy	80	Holding Force (kgf)	Fx	50	Holding Force (kgf)	Fx	50

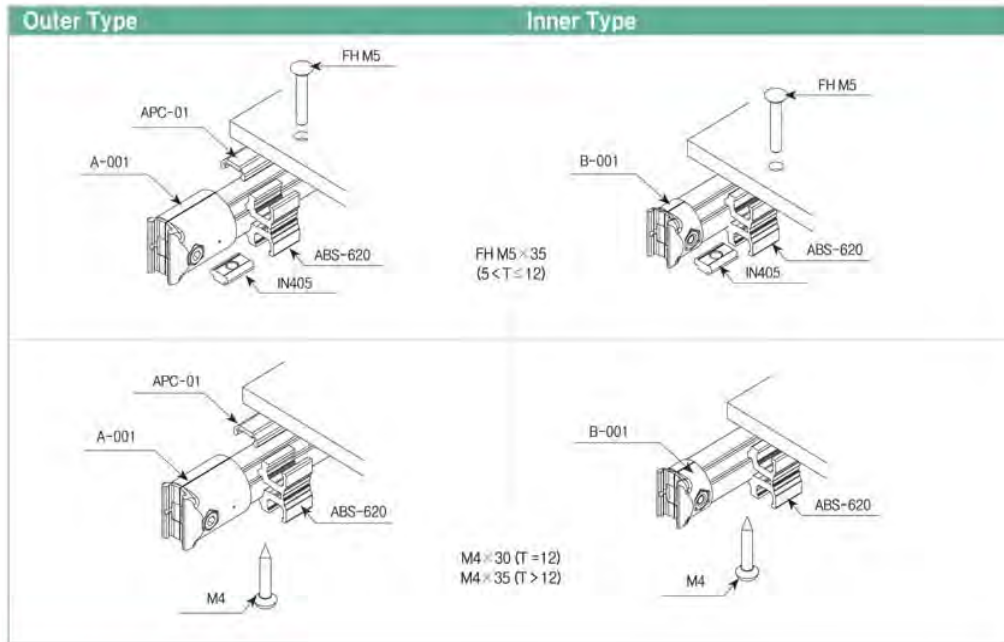
Unit : mm

B-007D			B-008			B-011		
Holding Force (kgf)	Fx	50	Holding Force (kgf)	Fy	80	Holding Force (kgf)	Fy	80

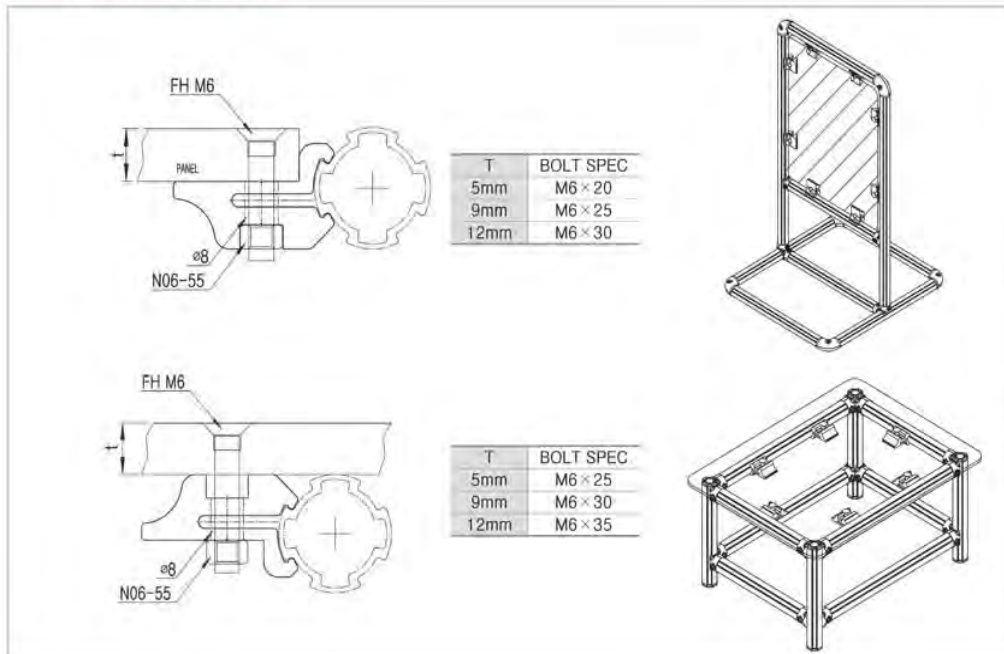
B-013			B-044			B-045		
Holding Force (kgf)	Fx	50	Holding Force (kgf)	Fx	80	Holding Force (kgf)	Fy	150
	Fy	80						

B-090			APH-633L, APH-633R			BA2800A/B, BP2800A/B		
Holding Force (kgf)	Fx1	50	Holding Force (kgf)	Fy	80	Holding Force (kgf)	Fx	80
	Fx2	50						
Moment (kgf) (L=110mm)		13						

Example for ABS-620



Example for B-017A-08



ALUMINIUM PROFILES



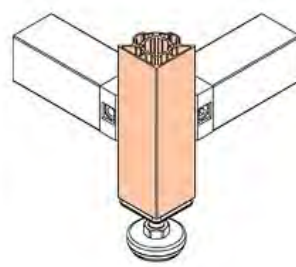
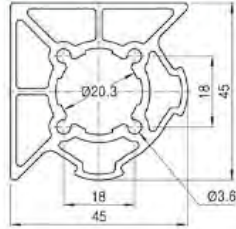
Unit : mm

ASJ4545A

디자인 등록



- Weight : 1.320 kg/m
- 4pcs/Bag, 90Bag/Pallet

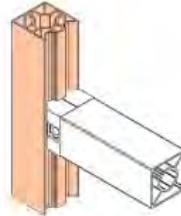
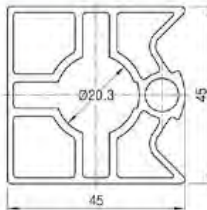


ASJ4545C

디자인 등록



- Weight : 1.412 kg/m
- 4pcs/Bag, 90Bag/Pallet

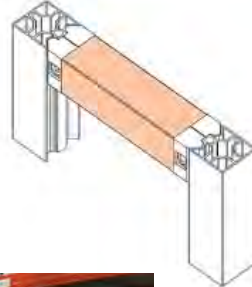
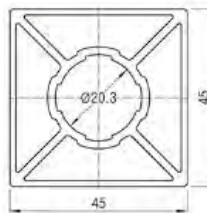


ASJ4545D

디자인 등록

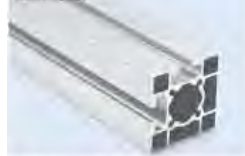


- Weight : 1.495 kg/m
- 4pcs/Bag, 90Bag/Pallet

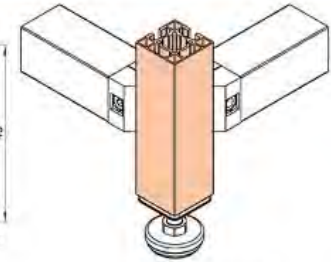
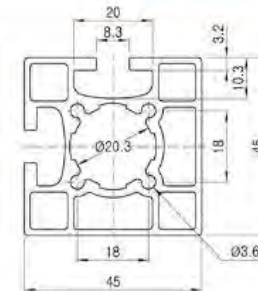


AST4545A

디자인 등록



- Weight : 1.513 kg/m
- 4pcs/Bag, 90Bag/Pallet



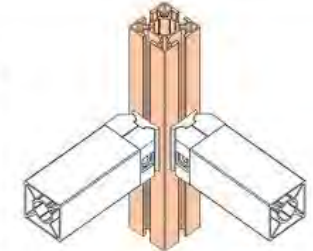
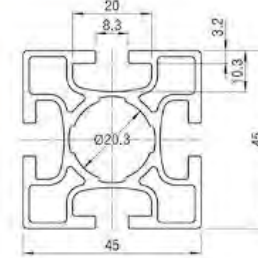
- Insert Nut : IN404-IN408
- Spring Nut : SN404-SN408

AST4545D

디자인 등록



- Weight : 1.607 kg/m
- 4pcs/Bag, 90Bag/Pallet



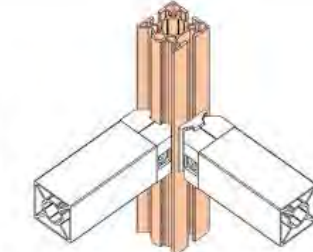
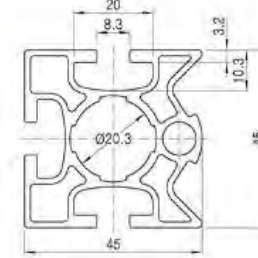
- Insert Nut : IN404-IN408
- Spring Nut : SN404-SN408

ASM4545C

디자인 등록



- Weight : 1.595 kg/m
- 4pcs/Bag, 90Bag/Pallet

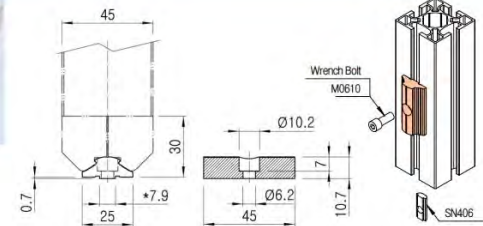


- Insert Nut : IN404-IN408
- Spring Nut : SN404-SN408

ACY-08A



- Weight : 0.019kg
- Qty/Box : 300pcs



Unit : mm

Unit : mm

45X45 ALUMINIUM JOINTS & ACCESSORIES

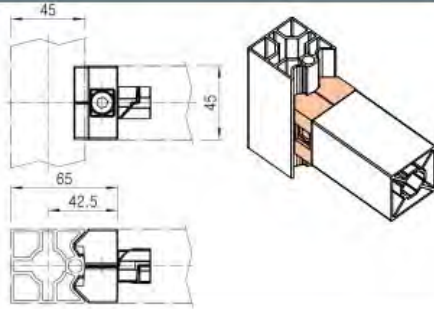
E-001

실용신안 출원



- Weight : 0.050kg
- Q'ty/Box : 100pcs

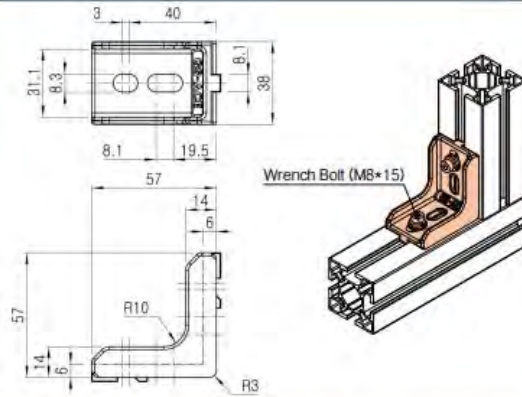
- E-001 : 2EA
- M0830/N08 : 1set
- Weight : 0.120kg
- Q'ty/Box : 50set



B-080A



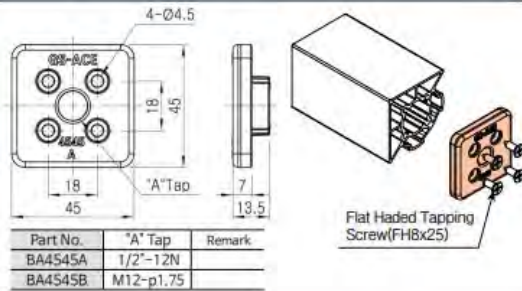
- Weight : 0.062kg
- Q'ty/Box : 40pcs



BA4545A/B



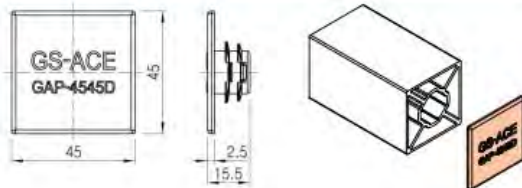
- Weight : 0.034kg
- Q'ty/Box : 200pcs



GAP-4545D



- Weight : 0.006kg
- Q'ty/Box : 1200pcs



ROLLER TRACKS



SERIES

- GP - 25
- GP - 35
- GP - 40
- GP - 60
- GP - 70
- GP - 85

ROLLER TRACK NUMBERING SYSTEM

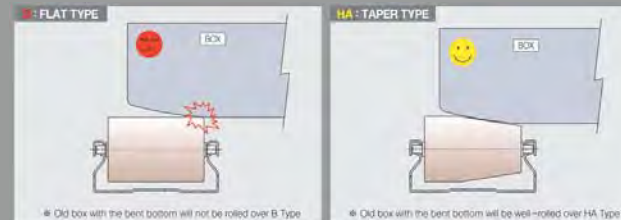
- WH = white
- GR = Gray
- BK = Black
- YL = Yellow

Color Code

- A : Round
- B : Flat
- BF : Flexible
- C : Flange
- D : Large
- HA : Taper
- M : Multi
- S : Slim
- SR : STS Covered roller

Roller Type

CHOOSE FOR THE ROLLER TYPE



GP 40 36 A

Pitch

Serie / Frame Size